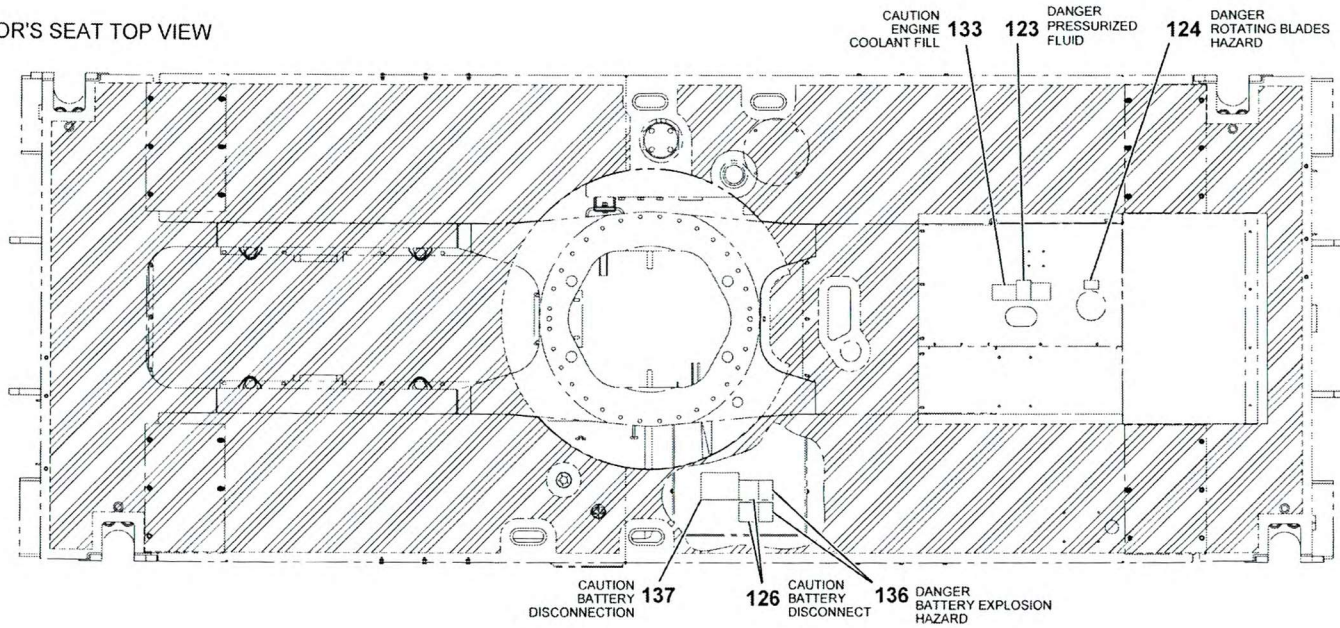
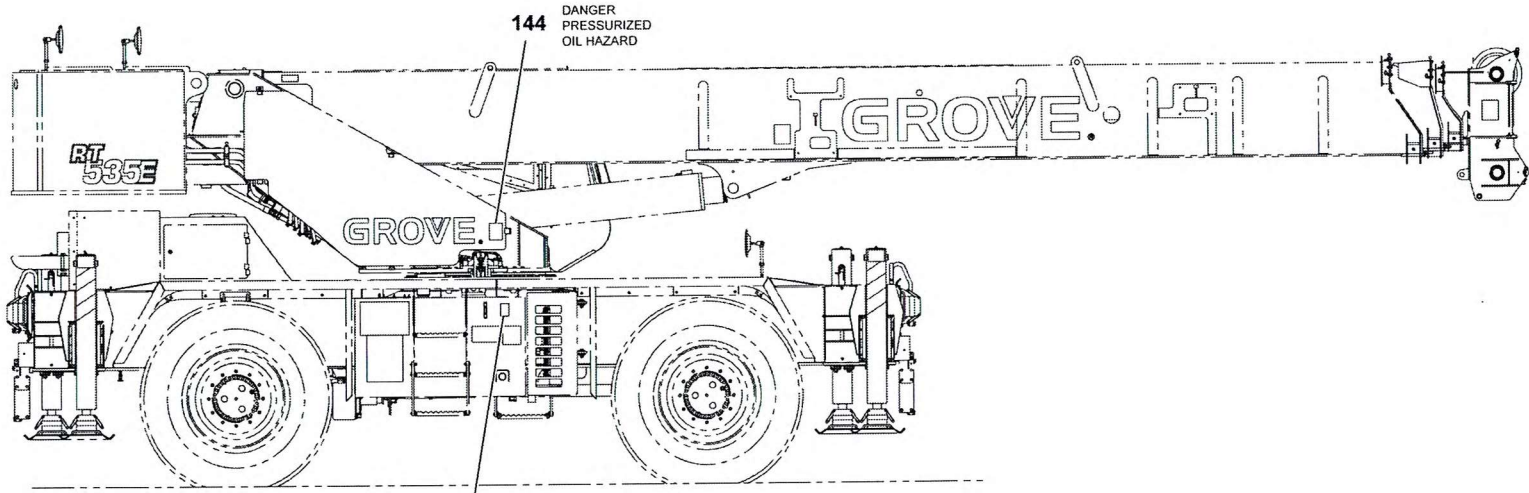


FRONT VIEW

OPERATOR'S SEAT TOP VIEW

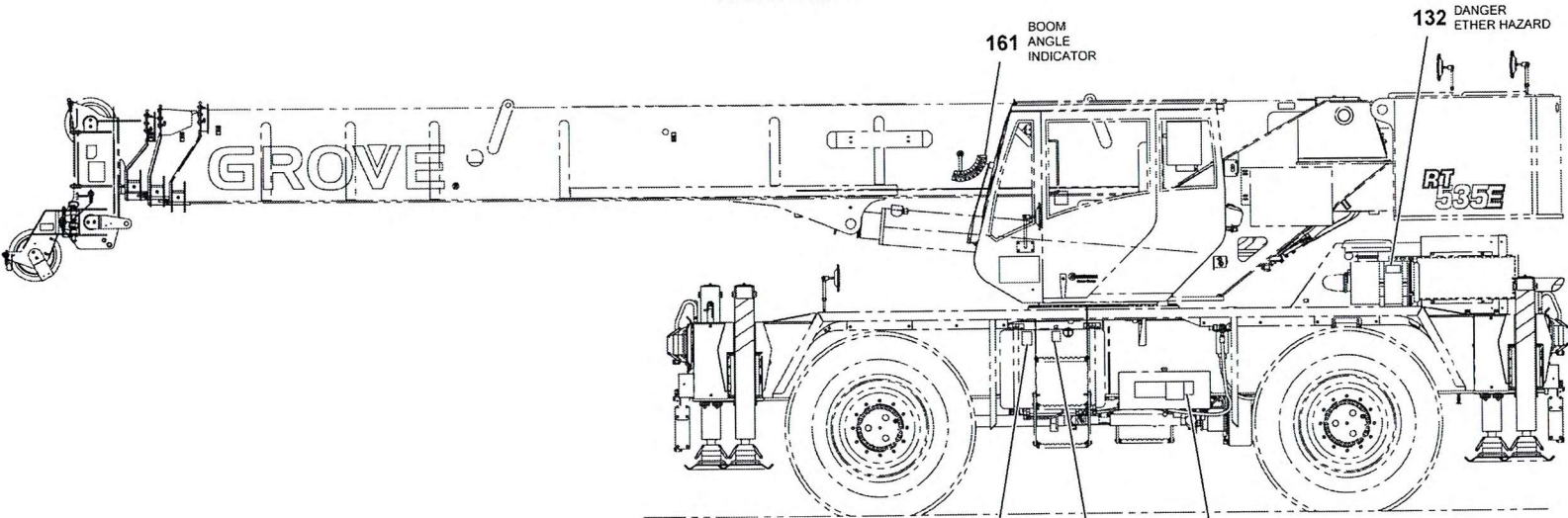


TOP VIEW W/O SUPERSTRUCTURE SHOWING NON-SKID PAINT



127 HYDRAULIC OIL

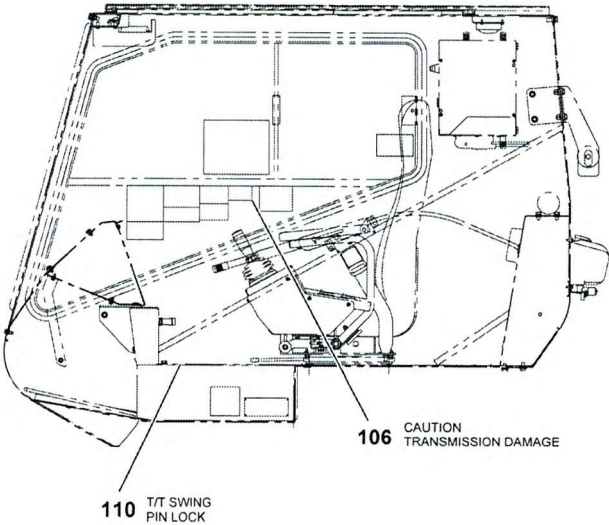
RIGHT VIEW



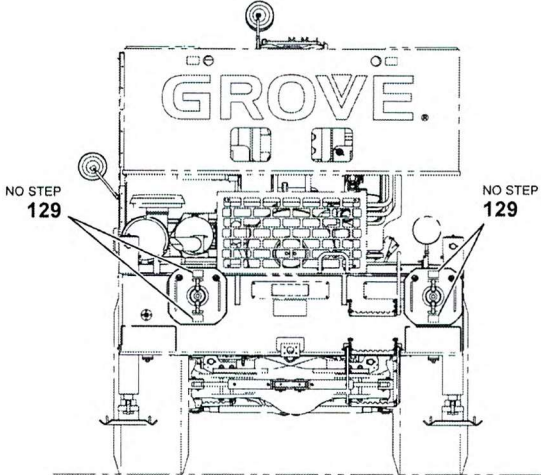
135 DANGER FIRE HAZARD
128 DIESEL
125 CAUTION ELECTRONICS DAMAGE

LEFT VIEW

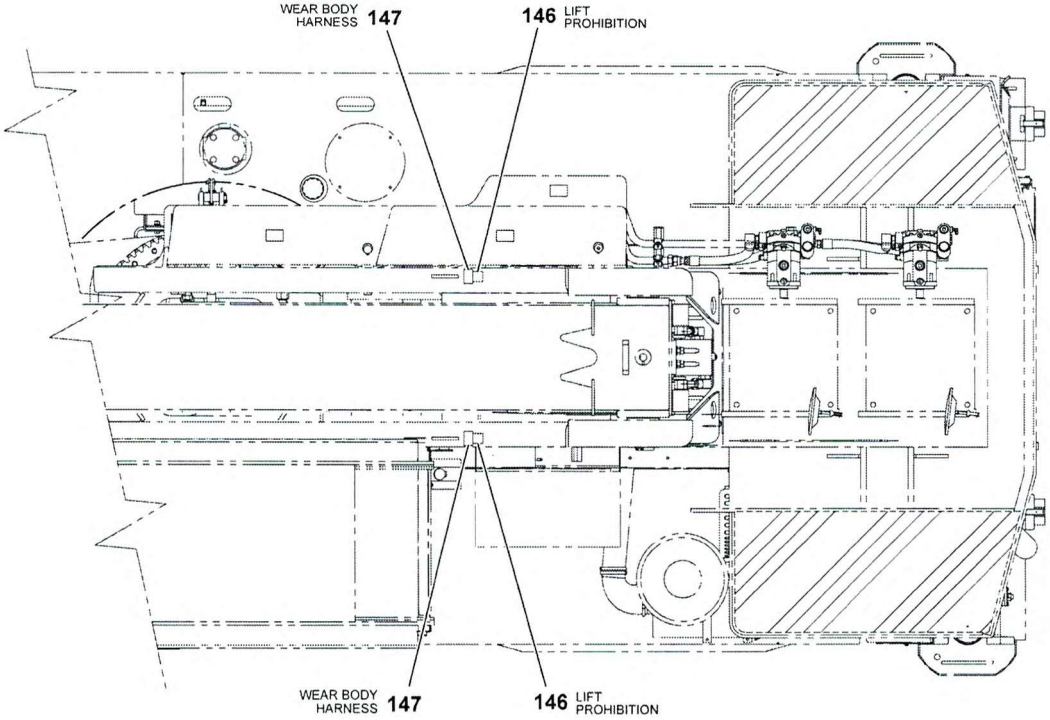
Manitowoc Crane Group



CAB LEFT INSIDE VIEW



REAR VIEW



SUPERSTRUCTURE TOP VIEW